

## Two-Page Abstract for the 4<sup>th</sup> Oxford Tidal Energy Workshop

Christopher Vogel\*, Richard H. J. Willden  
*Department of Engineering Science, University of Oxford, UK*

Third Author  
*Affiliation of the Third Author*

*Summary:* This is a template for an abstract for the 4<sup>th</sup> Oxford Tidal Energy Workshop (OTE 2015). Please prepare your abstract using this template and submit it (preferably in PDF format with all fonts embedded) to one of the workshop organisers by 13 February 2015. The maximum length of each abstract is 2 pages, including figures, references etc. The workshop scientific committee will lightly review the abstracts; all accepted abstracts will be uploaded on the workshop website. Please provide a short summary first in this space (up to about 100 words), followed by the main body of your abstract below.

### Introduction

Please provide the main body of your abstract below, together with appropriate section headings (such as introduction, experimental/computational methods, results, discussion and conclusions).

### Methods

The format of this two-page abstract is as follows:

1. Paper size is A4. Margins on the top and bottom are 3cm. Left and right margins are 2.5cm.
2. Font to be used is Times New Roman. Font size and style to be used are as follows:
  - 14pt **bold** for the title
  - 11pt for author names
  - 11pt *italic* for author affiliations
  - 11pt **bold** for the title of each section
  - 10pt justified for the main text
  - 10pt for figure captions, tables and footnotes
3. Each paragraph shall be indented.
4. No page numbering shall be used.

### Results

Equations should be centred with the equation numbers right justified, such as

$$(p_1 - p_5)A_C - T_D = 0. \quad (1)$$

Also, references should be cited in numerical order according to their order of appearance, e.g., [1-3] and [4].

### Conclusions

If you have any questions about the preparation of your abstract and/or about the workshop in general, please contact Christopher Vogel ([christopher.vogel@eng.ox.ac.uk](mailto:christopher.vogel@eng.ox.ac.uk)).

#### *Acknowledgements:*

Acknowledgements should be provided here, if applicable. The authors would like to thank Takafumi Nishino for his contributions to this work.

#### *References:*

- [1] Schlichting, H. (1979). *Boundary-Layer Theory*, McGraw-Hill.

---

\* Corresponding author.

*Email address:* author@affiliation.ac.uk

- [2] Bearman, P. W. (1969). On vortex shedding from a circular cylinder in the critical Reynolds number regime. *J. Fluid Mech.* **37**, 577-585.
- [3] Menter, F. R., Kuntz, M., Bender, R. (2003). A scale-adaptive simulation model for turbulent flow predictions. In: *Proc. 41<sup>st</sup> AIAA Aerospace Sciences Meeting and Exhibit*, Reno, NV, USA, AIAA Paper 2003-0767.
- [4] Houslyby, G. T., Draper, S., Oldfield, M. L. G. (2008). Application of linear momentum actuator disc theory to open channel flow. *Report No. OUEL 2296/08*, Department of Engineering Science, University of Oxford.

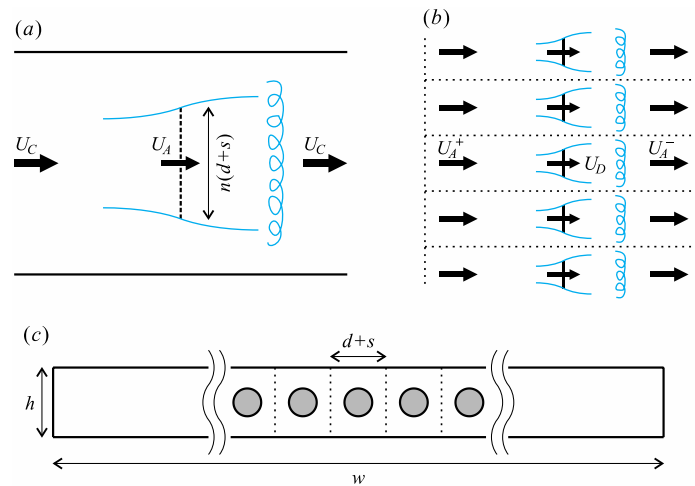


Fig. 1. Sample figure. Please try to avoid any fonts smaller than 7pt.